



TX-W-G05		1A00	1B00	1B1A	1B2A	1B3A	1C00	1C1A	1C1B	1C3B
Power supply	V/ph/Hz	400/3/50	400/3/50	400/3/50	400/3/50	400/3/50	400/3/50	400/3/50	400/3/50	400/3/50
<b>PERFORMANCE</b>										
<b>COOLING ONLY (GROSS VALUE)</b>										
Cooling capacity	(1) kW	243,6-353,0	343,6-490,9	582,5-844,2	820,6-1189	1083-1547	396,2-565,9	642,4-917,7	735,4-1051	1425-2036
EER	(1) kW/kW	6.150	6.290	6.230	6.040	6.200	6.390	6.290	6.290	6.320
ESEER (up to)	(1) kW/kW									
<b>COOLING ONLY (EN14511 VALUE)</b>										
Cooling capacity	(1)(2) kW	243,7	364,4	581,9	818,9	1143	458,9	642,5	737,1	1708
EER	(1)(2) kW/kW	5.970	6.050	6.060	5.910	5.970	6.080	6.110	6.120	5.910
ESEER	(1)(2) kW/kW	8.760	8.460	8.850	8.670	8.590	8.770	8.810	8.770	8.370
Cooling energy class		A	A	A	A	A	A	A	A	A
<b>ENERGY EFFICIENCY</b>										
<b>SEASONAL EFFICIENCY IN COOLING (Reg. EU 2016/2281)</b>										
Ambient refrigeration										
Prated,c	(8) kW	244	364	582	819	1143	459	642	737	1708
SEER	(8)(9)	8,94	8,75	8,92	8,88	8,71	9,01	8,97	8,86	8,39
Performance ηs	(8)(10) %	350	342	349	347	340	352	351	346	328
<b>EXCHANGERS</b>										
<b>HEAT EXCHANGER USER SIDE IN REFRIGERATION</b>										
Water flow	(1) l/s	11,68	17,46	27,89	39,23	54,81	21,99	30,79	35,32	81,94
Pressure drop	(1) kPa	18,8	21,8	25,7	21,1	34,3	24,1	25,7	25,7	52,2
<b>HEAT EXCHANGER SOURCE SIDE IN REFRIGERATION</b>										
Water flow	(1) l/s	13,55	20,22	32,29	45,60	63,56	25,44	35,61	40,85	95,03
Pressure drop	(1) kPa	17,5	20,5	20,7	19,4	26,2	23,5	20,4	20,1	33,9
<b>REFRIGERANT CIRCUIT</b>										
Compressors nr.	N°	1	1	2	3	4	1	2	2	4
No. Circuits	N°	1	1	1	1	1	1	1	1	1
Refrigerant charge	kg	215	220	390	495	747	262	436	416	1078
<b>NOISE LEVEL</b>										
Sound Pressure	(3) dB(A)	75	76	76	78	78	77	77	77	79
Sound power level in cooling	(4)(5) dB(A)	93	94	95	97	98	95	96	96	99
<b>SIZE AND WEIGHT</b>										
A	(6)(7) mm	2910	2910	3050	3710	4690	2910	3050	3050	4720
B	(6)(7) mm	1000	1000	1620	1710	1890	1000	1620	1620	1890
H	(6)(7) mm	1950	1950	2190	2260	2400	1950	2190	2190	2400
Operating weight	(6)(7) kg	2690	2800	5200	7590	9320	2880	5280	5410	11010

TX-W-G05		1D00	1D1A	1D1B	1D1C	1D2C	1D3C	1D4C	1D5C	2A00
Power supply	V/ph/Hz	400/3/50	400/3/50	400/3/50	400/3/50	400/3/50	400/3/50	400/3/50	400/3/50	400/3/50
<b>PERFORMANCE</b>										
<b>COOLING ONLY (GROSS VALUE)</b>										
Cooling capacity	(1) kW	587,8-734,7	736,8-1084	833,4-1226	1043-1303	1241-1880	1964-2455	2441-3051	2918-3648	495,9-708,5
EER	(1) kW/kW	6.130	6.100	6.210	6.250	6.300	6.300	6.420	6.480	6.120
ESEER (up to)	(1) kW/kW									
<b>COOLING ONLY (EN14511 VALUE)</b>										
Cooling capacity	(1)(2) kW	658,5	748,2	857,2	1067	1271	2143	2637	3128	522,3
EER	(1)(2) kW/kW	5.890	5.910	6.020	5.990	6.100	5.940	6.040	6.120	5.900
ESEER	(1)(2) kW/kW	8.060	8.530	8.700	8.640	8.800	8.400	8.420	8.500	8.800
Cooling energy class		A	A	A	A	A	A	A	A	A
<b>ENERGY EFFICIENCY</b>										
<b>SEASONAL EFFICIENCY IN COOLING (Reg. EU 2016/2281)</b>										
Ambient refrigeration										
Prated,c	(8) kW	658	748	857	1067	1271	-	-	-	522
SEER	(8)(9)	8,27	8,69	8,72	8,61	8,98	-	-	-	8,87
Performance ηs	(8)(10) %	323	340	341	336	351	-	-	-	347
<b>EXCHANGERS</b>										
<b>HEAT EXCHANGER USER SIDE IN REFRIGERATION</b>										
Water flow	(1) l/s	31,59	35,86	41,09	51,19	60,91	102,9	126,6	150,1	25,03
Pressure drop	(1) kPa	38,8	28,8	30,6	40,8	30,3	60,3	68,6	61,4	24,0
<b>HEAT EXCHANGER SOURCE SIDE IN REFRIGERATION</b>										
Water flow	(1) l/s	36,64	41,65	47,60	59,28	70,44	119,1	146,3	173,2	29,07
Pressure drop	(1) kPa	38,3	23,6	24,4	32,3	25,1	38,6	44,4	50,5	24,6
<b>REFRIGERANT CIRCUIT</b>										
Compressors nr.	N°	1	2	2	2	3	4	5	6	2
No. Circuits	N°	1	1	1	1	1	1	1	1	1
Refrigerant charge	kg	253	422	400	450	814	1017	1319	1696	273
<b>NOISE LEVEL</b>										
Sound Pressure	(3) dB(A)	78	78	78	78	79	79	79	80	76
Sound power level in cooling	(4)(5) dB(A)	96	97	97	97	99	99	100	101	95
<b>SIZE AND WEIGHT</b>										
A	(6)(7) mm	2910	3050	3050	3050	4690	4720	5700	6610	2910
B	(6)(7) mm	1000	1620	1620	1620	1660	1890	2350	2400	1560
H	(6)(7) mm	1950	2190	2190	2190	2260	2400	2400	2450	2190
Operating weight	(6)(7) kg	2950	5350	5340	5420	8810	11410	15330	20580	4070

**Notes:**

- Plant (side) cooling exchanger water (in/out) 12°C/7°C;  
Source (side) heat exchanger water (in/out) 30°C/35°C.
- Values in compliance with EN14511
- Average sound pressure level at 1m distance, unit in a free field on a reflective surface;  
non-binding value calculated from the sound power level.
- Sound power on the basis of measurements made in compliance with ISO 9614.
- Sound power level in cooling, indoors.
- Unit in standard configuration/execution, without optional accessories.

- Lay-out with diagonal exchangers in units with 1, 2, 3 and 4 compressors; lay-out with horizontal exchangers in units with 5 and 6 compressors.
- Parameter calculated according to [REGULATION (EU) N. 2016/2281]
- Seasonal energy efficiency ratio
- Seasonal space cooling energy efficiency

The units highlighted in this publication contain R513A [GWP<sub>100</sub> 631] fluorinated greenhouse gases.

Certified data in EUROVENT





# TX-W-G05

High efficiency water cooled chiller with R513A refrigerant

TX-W-G05		2B00	2B1A	2B2A	2B3A	2C00	2C1A	2C1B	2D00	2D1B	
Power supply	V/ph/Hz	400/3/50	400/3/50	400/3/50	400/3/50	400/3/50	400/3/50	400/3/50	400/3/50	400/3/50	
<b>PERFORMANCE</b>											
<b>COOLING ONLY (GROSS VALUE)</b>											
Cooling capacity	(1)	kW	676,3-980,2	930,1-1329	1176-1680	1434-2049	791,5-1131	1042-1489	1135-1621	971,1-1471	1416-1966
EER	(1)	kW/kW	6.210	6.050	6.210	6.320	6.400	6.360	6.360	6.040	6.240
ESEER (up to)	(1)	kW/kW									
<b>COOLING ONLY (EN14511 VALUE)</b>											
Cooling capacity	(1)(2)	kW	680,3	978,2	1240	1674	916,7	1123	1221	984,1	1448
EER	(1)(2)	kW/kW	6.040	5.850	5.960	5.890	6.060	6.100	6.110	5.850	6.010
ESEER	(1)(2)	kW/kW	8.700	8.530	8.470	8.300	8.910	8.600	8.640	8.780	8.410
Cooling energy class			A	A	A	A	A	A	A	A	A
<b>ENERGY EFFICIENCY</b>											
<b>SEASONAL EFFICIENCY IN COOLING (Reg. EU 2016/2281)</b>											
Ambient refrigeration											
Prated,c	(8)	kW	680	978	1240	1674	917	1123	1221	984	1448
SEER	(8)(9)		8,82	8,73	8,55	8,25	8,90	8,77	8,77	8,86	8,52
Performance $\eta_s$	(8)(10)	%	345	341	334	322	348	343	343	346	333
<b>EXCHANGERS</b>											
<b>HEAT EXCHANGER USER SIDE IN REFRIGERATION</b>											
Water flow	(1)	l/s	32,60	46,87	59,51	80,37	43,95	53,83	58,54	47,17	69,44
Pressure drop	(1)	kPa	26,0	23,1	40,4	61,1	33,8	35,3	34,6	30,0	41,2
<b>HEAT EXCHANGER SOURCE SIDE IN REFRIGERATION</b>											
Water flow	(1)	l/s	37,77	54,55	68,99	93,18	50,86	62,22	67,66	54,87	80,40
Pressure drop	(1)	kPa	20,5	21,6	26,5	38,3	26,5	27,6	26,7	25,0	32,7
<b>REFRIGERANT CIRCUIT</b>											
Compressors nr.		N°	2	3	4	5	2	3	3	2	3
No. Circuits		N°	1	1	1	1	1	1	1	1	1
Refrigerant charge		kg	433	640	1015	1303	411	751	795	429	814
<b>NOISE LEVEL</b>											
Sound Pressure	(3)	dB(A)	77	78	78	78	78	78	78	79	79
Sound power level in cooling	(4)(5)	dB(A)	96	97	98	99	97	98	98	98	99
<b>SIZE AND WEIGHT</b>											
A	(6)(7)	mm	3050	3710	4720	5700	3050	4690	4690	3050	4690
B	(6)(7)	mm	1620	1710	1890	2350	1620	1660	1660	1620	1660
H	(6)(7)	mm	2190	2260	2400	2400	2190	2260	2260	2190	2260
Operating weight	(6)(7)	kg	5340	7750	10610	13850	5330	8470	8700	5310	8810

TX-W-G05		2D1C	2D2B	2D2C	2D3C	2D4C	3A00	3B00	3B1A	3B2A	
Power supply	V/ph/Hz	400/3/50	400/3/50	400/3/50	400/3/50	400/3/50	400/3/50	400/3/50	400/3/50	400/3/50	
<b>PERFORMANCE</b>											
<b>COOLING ONLY (GROSS VALUE)</b>											
Cooling capacity	(1)	kW	1636-2045	1968-2460	2092-2614	2568-3210	3054-3817	724,3-1050	1009-1462	1273-1819	1522-2174
EER	(1)	kW/kW	6.300	6.270	6.320	6.400	6.510	5.970	6.070	6.220	6.250
ESEER (up to)	(1)	kW/kW									
<b>COOLING ONLY (EN14511 VALUE)</b>											
Cooling capacity	(1)(2)	kW	1848	2185	2332	2823	3320	723,3	1078	1344	1790
EER	(1)(2)	kW/kW	5.920	5.890	5.950	6.010	6.130	5.830	5.850	5.970	5.830
ESEER	(1)(2)	kW/kW	8.250	8.170	8.320	8.300	8.480	8.650	8.610	8.430	8.190
Cooling energy class			A	A	A	A	A	A	A	A	A
<b>ENERGY EFFICIENCY</b>											
<b>SEASONAL EFFICIENCY IN COOLING (Reg. EU 2016/2281)</b>											
Ambient refrigeration											
Prated,c	(8)	kW	1848	-	-	-	-	723	1078	1344	1790
SEER	(8)(9)		8,22	-	-	-	-	8,83	8,74	8,57	8,16
Performance $\eta_s$	(8)(10)	%	321	-	-	-	-	345	342	335	318
<b>EXCHANGERS</b>											
<b>HEAT EXCHANGER USER SIDE IN REFRIGERATION</b>											
Water flow	(1)	l/s	88,69	104,9	112,0	135,6	159,4	34,65	51,64	64,46	85,92
Pressure drop	(1)	kPa	61,2	65,6	65,0	73,8	65,9	21,0	23,2	39,8	60,3
<b>HEAT EXCHANGER SOURCE SIDE IN REFRIGERATION</b>											
Water flow	(1)	l/s	102,7	121,6	129,6	156,7	183,7	40,35	60,10	74,72	99,77
Pressure drop	(1)	kPa	47,9	44,1	41,4	47,7	52,5	19,2	22,0	26,1	38,7
<b>REFRIGERANT CIRCUIT</b>											
Compressors nr.		N°	3	4	4	5	6	3	3	4	5
No. Circuits		N°	1	1	1	1	1	1	1	1	1
Refrigerant charge		kg	812	1013	1094	1299	1667	501	598	985	1269
<b>NOISE LEVEL</b>											
Sound Pressure	(3)	dB(A)	79	79	80	79	80	77	78	78	78
Sound power level in cooling	(4)(5)	dB(A)	99	99	100	100	101	96	97	98	99
<b>SIZE AND WEIGHT</b>											
A	(6)(7)	mm	4690	4720	4720	5700	6610	3710	3710	4720	5700
B	(6)(7)	mm	1660	1890	1890	2350	2400	1710	1710	1890	2350
H	(6)(7)	mm	2260	2400	2400	2400	2450	2260	2260	2400	2400
Operating weight	(6)(7)	kg	8880	11250	11450	15420	20750	7440	7370	10740	14050

### Notes:

- Plant (side) cooling exchanger water (in/out) 12°C/7°C;  
Source (side) heat exchanger water (in/out) 30°C/35°C.
- Values in compliance with EN14511
- Average sound pressure level at 1m distance, unit in a free field on a reflective surface;  
non-binding value calculated from the sound power level.
- Sound power on the basis of measurements made in compliance with ISO 9614.
- Sound power level in cooling, indoors.
- Unit in standard configuration/execution, without optional accessories.

- 7 Lay-out with diagonal exchangers in units with 1, 2, 3 and 4 compressors; lay-out with horizontal exchangers in units with 5 and 6 compressors.
- Parameter calculated according to [REGULATION (EU) N. 2016/2281]
- Seasonal energy efficiency ratio
- Seasonal space cooling energy efficiency

The units highlighted in this publication contain R513A [GWP<sub>100</sub> 631] fluorinated greenhouse gases.

Certified data in EUROVENT



TX-W-G05		3B3A	3C00	3C1A	3C1B	3C2B	3D00	3D1A	3D1C	3D2C
Power supply	V/ph/Hz	400/3/50	400/3/50	400/3/50	400/3/50	400/3/50	400/3/50	400/3/50	400/3/50	400/3/50
<b>PERFORMANCE</b>										
<b>COOLING ONLY (GROSS VALUE)</b>										
Cooling capacity	(1) kW	1772-2531	1196-1709	1442-2059	1531-2187	1894-2705	1771-2213	2051-2563	2233-2792	2711-3388
EER	(1) kW/kW	6.320	6.430	6.360	6.390	6.470	6.240	6.220	6.350	6.440
ESEER (up to)	(1) kW/kW									
<b>COOLING ONLY (EN14511 VALUE)</b>										
Cooling capacity	(1)(2) kW	2070	1301	1738	1854	2277	2043	2326	2536	3027
EER	(1)(2) kW/kW	5.920	6.170	5.940	5.970	6.030	5.870	5.840	5.960	6.010
ESEER	(1)(2) kW/kW	8.330	8.820	8.420	8.480	8.410	8.160	7.990	8.240	8.210
Cooling energy class		A	A	A	A	A	A	A	A	A
<b>ENERGY EFFICIENCY</b>										
<b>SEASONAL EFFICIENCY IN COOLING (Reg. EU 2016/2281)</b>										
Ambient refrigeration										
Prated.c	(8) kW	-	1301	1738	1854	-	-	-	-	-
SEER	(8)(9)	-	8,92	8,47	8,50	-	-	-	-	-
Performance ηs	(8)(10) %	-	349	331	332	-	-	-	-	-
<b>EXCHANGERS</b>										
<b>HEAT EXCHANGER USER SIDE IN REFRIGERATION</b>										
Water flow	(1) l/s	99,31	62,37	83,42	88,96	109,3	98,15	111,8	121,8	145,4
Pressure drop	(1) kPa	55,0	35,3	51,4	51,3	58,8	67,4	74,5	71,1	79,5
<b>HEAT EXCHANGER SOURCE SIDE IN REFRIGERATION</b>										
Water flow	(1) l/s	115,1	71,99	96,69	103,0	126,3	113,7	129,6	140,9	167,9
Pressure drop	(1) kPa	42,9	28,2	33,9	33,0	41,4	55,3	47,9	46,3	54,8
<b>REFRIGERANT CIRCUIT</b>										
Compressors nr.	N°	6	3	4	4	5	3	4	4	5
No. Circuits	N°	1	1	1	1	1	1	1	1	1
Refrigerant charge	kg	1677	795	1078	1013	1252	850	1059	1072	1400
<b>NOISE LEVEL</b>										
Sound Pressure	(3) dB(A)	79	78	79	79	79	79	80	80	80
Sound power level in cooling	(4)(5) dB(A)	100	98	99	99	100	99	100	100	101
<b>SIZE AND WEIGHT</b>										
A	(6)(7) mm	6610	4690	4720	4720	5700	4690	4720	4720	5700
B	(6)(7) mm	2400	1660	1890	1890	2350	1660	1890	1890	2350
H	(6)(7) mm	2450	2260	2400	2400	2400	2260	2400	2400	2400
Operating weight	(6)(7) kg	18670	8700	11010	11210	14910	9010	11250	11580	15500

TX-W-G05		3D3C	4B00	4B1A	4B2A	4C00	4C1B	4D00	4D1C	4D2C
Power supply	V/ph/Hz	400/3/50	400/3/50	400/3/50	400/3/50	400/3/50	400/3/50	400/3/50	400/3/50	400/3/50
<b>PERFORMANCE</b>										
<b>COOLING ONLY (GROSS VALUE)</b>										
Cooling capacity	(1) kW	3192-3990	1366-1952	1620-2314	1875-2679	1344-2277	1947-2781	2369-2961	2857-3571	3337-4171
EER	(1) kW/kW	6.570	6.260	6.310	6.410	6.400	6.530	6.280	6.450	6.550
ESEER (up to)	(1) kW/kW									
<b>COOLING ONLY (EN14511 VALUE)</b>										
Cooling capacity	(1)(2) kW	3518	1443	1918	2200	1488	2349	2733	3233	3724
EER	(1)(2) kW/kW	6.170	6.020	5.880	6.000	6.190	6.080	5.890	6.020	6.130
ESEER	(1)(2) kW/kW	8.480	8.510	8.240	8.370	8.860	8.460	8.070	8.160	8.350
Cooling energy class		A	A	A	A	A	A	A	A	A
<b>ENERGY EFFICIENCY</b>										
<b>SEASONAL EFFICIENCY IN COOLING (Reg. EU 2016/2281)</b>										
Ambient refrigeration										
Prated.c	(8) kW	-	1443	1918	-	1488	-	-	-	-
SEER	(8)(9)	-	8,60	8,23	-	9,12	-	-	-	-
Performance ηs	(8)(10) %	-	336	321	-	357	-	-	-	-
<b>EXCHANGERS</b>										
<b>HEAT EXCHANGER USER SIDE IN REFRIGERATION</b>										
Water flow	(1) l/s	168,9	69,20	92,05	105,6	71,29	112,7	131,3	155,4	178,9
Pressure drop	(1) kPa	70,2	39,1	59,3	56,3	30,3	60,9	80,4	87,6	74,6
<b>HEAT EXCHANGER SOURCE SIDE IN REFRIGERATION</b>										
Water flow	(1) l/s	194,5	80,15	106,8	122,1	82,33	130,2	152,0	179,3	206,0
Pressure drop	(1) kPa	53,9	25,8	38,4	44,5	20,2	41,7	53,9	54,2	60,5
<b>REFRIGERANT CIRCUIT</b>										
Compressors nr.	N°	6	4	5	6	4	5	4	5	6
No. Circuits	N°	1	1	1	1	1	1	1	1	1
Refrigerant charge	kg	1626	1078	1233	1638	1050	1239	1072	1380	1767
<b>NOISE LEVEL</b>										
Sound Pressure	(3) dB(A)	80	78	78	79	79	79	80	80	80
Sound power level in cooling	(4)(5) dB(A)	101	98	99	100	99	100	100	101	101
<b>SIZE AND WEIGHT</b>										
A	(6)(7) mm	6610	4720	5700	6610	4720	5700	4720	5700	6610
B	(6)(7) mm	2400	1890	2350	2400	1890	2350	1890	2350	2400
H	(6)(7) mm	2450	2400	2400	2450	2400	2400	2400	2400	2450
Operating weight	(6)(7) kg	21010	10920	14300	18880	11250	15000	11580	15730	21180

- Notes:**
- Plant (side) cooling exchanger water (in/out) 12°C/7°C;  
Source (side) heat exchanger water (in/out) 30°C/35°C.
  - Values in compliance with EN14511
  - Average sound pressure level at 1m distance, unit in a free field on a reflective surface;  
non-binding value calculated from the sound power level.
  - Sound power on the basis of measurements made in compliance with ISO 9614.
  - Sound power level in cooling, indoors.
  - Unit in standard configuration/execution, without optional accessories.
  - Lay-out with diagonal exchangers in units with 1, 2, 3 and 4 compressors; lay-out with horizontal exchangers in units with 5 and 6 compressors.
  - Parameter calculated according to [REGULATION (EU) N. 2016/2281]
  - Seasonal energy efficiency ratio
  - Seasonal space cooling energy efficiency

The units highlighted in this publication contain R513A [GWP<sub>100</sub> 631] fluorinated greenhouse gases.

Certified data in EUROVENT





# TX-W-G05

High efficiency water cooled chiller with R513A refrigerant

TX-W-G05		5B00	5B1A	5C00	5C1B	5D00	5D1C	6B00	6C00	6D00	
Power supply	V/ph/Hz	400/3/50	400/3/50	400/3/50	400/3/50	400/3/50	400/3/50	400/3/50	400/3/50	400/3/50	
<b>PERFORMANCE</b>											
<b>COOLING ONLY (GROSS VALUE)</b>											
Cooling capacity	(1)	kW	1718-2454	1966-2809	1999-2856	2357-3367	2991-3739	3458-4322	2055-2935	2420-3458	3592-4490
EER	(1)	kW/kW	6.340	6.430	6.540	6.580	6.450	6.540	6.430	6.580	6.520
ESEER (up to)	(1)	kW/kW									
<b>COOLING ONLY (EN14511 VALUE)</b>											
Cooling capacity	(1)(2)	kW	2046	2319	2421	2835	3426	3901	2434	2919	4092
EER	(1)(2)	kW/kW	5.900	6.020	6.080	6.150	6.020	6.130	6.020	6.150	6.110
ESEER	(1)(2)	kW/kW	8.270	8.380	8.530	8.540	8.130	8.330	8.360	8.600	8.270
Cooling energy class			A	A	A	A	A	A	A	A	A
<b>ENERGY EFFICIENCY</b>											
<b>SEASONAL EFFICIENCY IN COOLING (Reg. EU 2016/2281)</b>											
Ambient refrigeration											
Prated,c	(8)	kW	-	-	-	-	-	-	-	-	-
SEER	(8)(9)		-	-	-	-	-	-	-	-	-
Performance ηs	(8)(10)	%	-	-	-	-	-	-	-	-	-
<b>EXCHANGERS</b>											
<b>HEAT EXCHANGER USER SIDE IN REFRIGERATION</b>											
Water flow	(1)	l/s	98,21	111,3	116,2	136,0	164,7	187,4	116,8	140,1	196,6
Pressure drop	(1)	kPa	60,0	56,2	61,2	57,6	91,4	77,4	56,6	58,5	80,2
<b>HEAT EXCHANGER SOURCE SIDE IN REFRIGERATION</b>											
Water flow	(1)	l/s	113,9	128,7	134,2	156,9	190,0	215,8	135,1	161,5	226,4
Pressure drop	(1)	kPa	38,6	45,1	39,7	44,7	60,8	60,4	44,9	43,9	66,5
<b>REFRIGERANT CIRCUIT</b>											
Compressors nr.		N°	5	6	5	6	5	6	6	6	6
No. Circuits		N°	1	1	1	1	1	1	1	1	1
Refrigerant charge		kg	1317	1594	1343	1583	1355	1739	1722	1555	1699
<b>NOISE LEVEL</b>											
Sound Pressure	(3)	dB(A)	78	79	79	80	80	81	79	80	81
Sound power level in cooling	(4)(5)	dB(A)	99	100	100	101	101	102	100	101	102
<b>SIZE AND WEIGHT</b>											
A	(6)(7)	mm	5700	6610	5700	6610	5700	6610	6610	6610	6610
B	(6)(7)	mm	2350	2400	2350	2400	2350	2400	2400	2400	2400
H	(6)(7)	mm	2400	2450	2400	2450	2400	2450	2450	2450	2450
Operating weight	(6)(7)	kg	14550	19150	15180	20240	15890	21350	19400	20410	21560

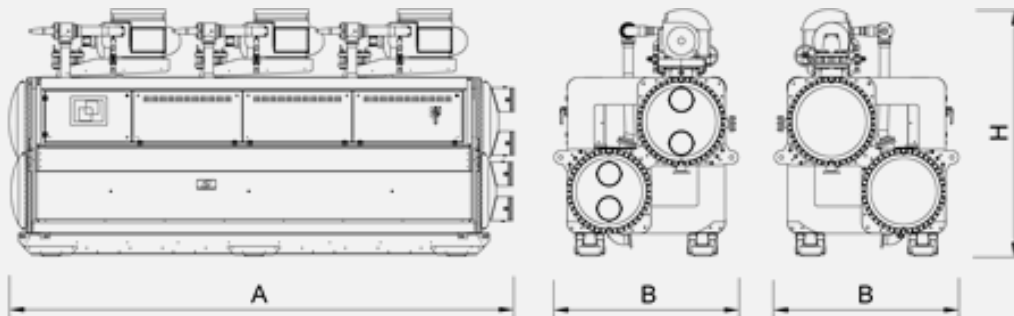
#### Notes:

- Plant (side) cooling exchanger water (in/out) 12°C/7°C;  
Source (side) heat exchanger water (in/out) 30°C/35°C.
- Values in compliance with EN14511
- Average sound pressure level at 1m distance, unit in a free field on a reflective surface;  
non-binding value calculated from the sound power level.
- Sound power on the basis of measurements made in compliance with ISO 9614.
- Sound power level in cooling, indoors.
- Unit in standard configuration/execution, without optional accessories.

- Lay-out with diagonal exchangers in units with 1, 2, 3 and 4 compressors; lay-out with horizontal exchangers in units with 5 and 6 compressors.
- Parameter calculated according to [REGULATION (EU) N. 2016/2281]
- Seasonal energy efficiency ratio
- Seasonal space cooling energy efficiency

The units highlighted in this publication contain R513A [GWP<sub>100</sub> 631] fluorinated greenhouse gases.

Certified data in EUROVENT





# TX-W

High efficiency water cooled chiller with R134a refrigerant

TX-W		1A00	1B00	1B1A	1B2A	1B3A	1C00	1C1A	1C1B	1C3B
Power supply	V/ph/Hz	400/3/50	400/3/50	400/3/50	400/3/50	400/3/50	400/3/50	400/3/50	400/3/50	400/3/50
<b>PERFORMANCE</b>										
<b>COOLING ONLY (GROSS VALUE)</b>										
Cooling capacity	(1) kW	246,1-356,6	346,0-494,3	586,6-850,1	828,9-1201	1096-1566	400,6-572,2	648,9-927,0	744,4-1063	1438-2054
EER	(1) kW/kW	6.250	6.310	6.250	6.080	6.260	6.460	6.340	6.360	6.380
ESEER (up to)	(1) kW/kW									
<b>COOLING ONLY (EN14511 VALUE)</b>										
Cooling capacity	(1)(2) kW	246,1	366,9	586,0	827,1	1157	464,0	649,0	746,0	1723
EER	(1)(2) kW/kW	6.060	6.060	6.070	5.940	6.020	6.140	6.160	6.180	5.970
ESEER	(1)(2) kW/kW	8.850	8.460	8.880	8.680	8.670	8.840	8.860	8.840	8.430
Cooling energy class		A	A	A	A	A	A	A	A	A
<b>ENERGY EFFICIENCY</b>										
<b>SEASONAL EFFICIENCY IN COOLING (Reg. EU 2016/2281)</b>										
Ambient refrigeration										
Prated.c	(8) kW	246	367	586	827	1157	464	649	746	1723
SEER	(8)(9)	8,99	8,70	8,91	8,89	8,79	9,07	8,99	8,92	8,42
Performance ηs	(8)(10) %	352	340	348	348	343	355	352	349	329
<b>EXCHANGERS</b>										
<b>HEAT EXCHANGER USER SIDE IN REFRIGERATION</b>										
Water flow	(1) l/s	11,80	17,59	28,09	39,62	55,47	22,24	31,10	35,75	82,69
Pressure drop	(1) kPa	19,2	22,1	26,1	21,6	35,1	24,6	26,2	26,3	53,2
<b>HEAT EXCHANGER SOURCE SIDE IN REFRIGERATION</b>										
Water flow	(1) l/s	13,66	20,35	32,51	46,03	64,24	25,69	35,93	41,29	95,77
Pressure drop	(1) kPa	17,7	20,8	21,0	19,8	26,7	24,0	20,8	20,5	34,5
<b>REFRIGERANT CIRCUIT</b>										
Compressors nr.	N°	1	1	2	3	4	1	2	2	4
No. Circuits	N°	1	1	1	1	1	1	1	1	1
Refrigerant charge	kg	215	220	390	495	747	262	436	416	1078
<b>NOISE LEVEL</b>										
Sound Pressure	(3) dB(A)	75	76	76	78	78	77	77	77	79
Sound power level in cooling	(4)(5) dB(A)	93	94	95	97	98	95	96	96	99
<b>SIZE AND WEIGHT</b>										
A	(6)(7) mm	2910	2910	3050	3710	4690	2910	3050	3050	4720
B	(6)(7) mm	1000	1000	1620	1710	1890	1000	1620	1620	1890
H	(6)(7) mm	1950	1950	2190	2260	2400	1950	2190	2190	2400
Operating weight	(6)(7) kg	2690	2800	5200	7590	9320	2880	5280	5410	11010

TX-W		1D00	1D1A	1D1B	1D1C	1D2C	1D3C	1D4C	1D5C	2A00
Power supply	V/ph/Hz	400/3/50	400/3/50	400/3/50	400/3/50	400/3/50	400/3/50	400/3/50	400/3/50	400/3/50
<b>PERFORMANCE</b>										
<b>COOLING ONLY (GROSS VALUE)</b>										
Cooling capacity	(1) kW	595,5-744,4	757,5-1098	852,5-1235	1052-1315	1274-1901	1980-2475	2461-3076	2942-3677	499,4-713,5
EER	(1) kW/kW	6.220	6.160	6.240	6.300	6.390	6.370	6.480	6.560	6.160
ESEER (up to)	(1) kW/kW									
<b>COOLING ONLY (EN14511 VALUE)</b>										
Cooling capacity	(1)(2) kW	667,1	758,0	864,0	1077	1285	2160	2659	3153	526,0
EER	(1)(2) kW/kW	5.970	5.970	6.040	6.040	6.200	6.010	6.090	6.190	5.940
ESEER	(1)(2) kW/kW	8.120	8.570	8.710	8.700	8.940	8.470	8.470	8.580	8.870
Cooling energy class		A	A	A	A	A	A	A	A	A
<b>ENERGY EFFICIENCY</b>										
<b>SEASONAL EFFICIENCY IN COOLING (Reg. EU 2016/2281)</b>										
Ambient refrigeration										
Prated.c	(8) kW	667	758	864	1077	1285	-	-	-	526
SEER	(8)(9)	8,31	8,76	8,73	8,65	9,10	-	-	-	8,90
Performance ηs	(8)(10) %	324	343	341	338	356	-	-	-	348
<b>EXCHANGERS</b>										
<b>HEAT EXCHANGER USER SIDE IN REFRIGERATION</b>										
Water flow	(1) l/s	32,00	36,34	41,42	51,66	61,59	103,7	127,7	151,4	25,21
Pressure drop	(1) kPa	39,8	29,6	31,1	41,5	31,0	61,3	69,7	62,3	24,3
<b>HEAT EXCHANGER SOURCE SIDE IN REFRIGERATION</b>										
Water flow	(1) l/s	37,05	42,14	47,96	59,75	71,08	119,9	147,3	174,3	29,25
Pressure drop	(1) kPa	39,1	24,2	24,7	32,9	25,5	39,1	45,0	51,2	24,9
<b>REFRIGERANT CIRCUIT</b>										
Compressors nr.	N°	1	2	2	2	3	4	5	6	2
No. Circuits	N°	1	1	1	1	1	1	1	1	1
Refrigerant charge	kg	253	422	400	450	814	1017	1319	1696	273
<b>NOISE LEVEL</b>										
Sound Pressure	(3) dB(A)	78	78	78	78	79	79	79	80	76
Sound power level in cooling	(4)(5) dB(A)	96	97	97	97	99	99	100	101	95
<b>SIZE AND WEIGHT</b>										
A	(6)(7) mm	2910	3050	3050	3050	4690	4720	5700	6610	2910
B	(6)(7) mm	1000	1620	1620	1620	1660	1890	2350	2400	1560
H	(6)(7) mm	1950	2190	2190	2190	2260	2400	2400	2450	2190
Operating weight	(6)(7) kg	2950	5350	5340	5420	8810	11410	15330	20580	4070

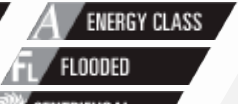
### Notes:

- Plant (side) cooling exchanger water (in/out) 12°C/7°C;  
Source (side) heat exchanger water (in/out) 30°C/35°C.
- Values in compliance with EN14511
- Average sound pressure level at 1m distance, unit in a free field on a reflective surface;  
non-binding value calculated from the sound power level.
- Sound power on the basis of measurements made in compliance with ISO 9614.
- Sound power level in cooling, indoors.
- Unit in standard configuration/execution, without optional accessories.

- Lay-out with diagonal exchangers in units with 1, 2, 3 and 4 compressors;  
lay-out with horizontal exchangers in units with 5 and 6 compressors.
- Parameter calculated according to [REGULATION (EU) N. 2016/2281]
- Seasonal energy efficiency ratio
- Seasonal space cooling energy efficiency

The units highlighted in this publication contain R134a [GWP<sub>100</sub> 1430] fluorinated greenhouse gases.

Certified data in EUROVENT



TX-W		2B00	2B1A	2B2A	2B3A	2C00	2C1A	2C1B	2D00	2D1B
Power supply	V/ph/Hz	400/3/50	400/3/50	400/3/50	400/3/50	400/3/50	400/3/50	400/3/50	400/3/50	400/3/50
<b>PERFORMANCE</b>										
<b>COOLING ONLY (GROSS VALUE)</b>										
Cooling capacity	(1) kW	681,1-987,1	938,5-1341	1191-1702	1444-2063	798,7-1141	1054-1506	1150-1642	994,7-1485	1451-1988
EER	(1) kW/kW	6.290	6.100	6.300	6.330	6.430	6.440	6.460	6.060	6.330
ESEER (up to)	(1) kW/kW									
<b>COOLING ONLY (EN14511 VALUE)</b>										
Cooling capacity	(1)(2) kW	685,1	987,1	1257	1685	925,1	1135	1237	993,1	1464
EER	(1)(2) kW/kW	6.100	5.900	6.030	5.900	6.090	6.180	6.200	5.890	6.090
ESEER	(1)(2) kW/kW	8.750	8.610	8.540	8.290	8.930	8.690	8.780	8.850	8.500
Cooling energy class		A	A	A	A	A	A	A	A	A
<b>ENERGY EFFICIENCY</b>										
<b>SEASONAL EFFICIENCY IN COOLING (Reg. EU 2016/2281)</b>										
Ambient refrigeration										
Prated.c	(8) kW	685	987	1257	1685	925	1135	1237	993	1464
SEER	(8)(9)	8,86	8,80	8,63	8,24	8,92	8,83	8,86	8,92	8,59
Performance ηs	(8)(10) %	346	344	337	321	349	345	346	349	335
<b>EXCHANGERS</b>										
<b>HEAT EXCHANGER USER SIDE IN REFRIGERATION</b>										
Water flow	(1) l/s	32,83	47,29	60,29	80,94	44,35	54,42	59,31	47,60	70,22
Pressure drop	(1) kPa	26,4	23,5	41,5	62,0	34,4	36,1	35,6	30,5	42,2
<b>HEAT EXCHANGER SOURCE SIDE IN REFRIGERATION</b>										
Water flow	(1) l/s	37,98	54,97	69,78	93,81	51,28	62,81	68,41	55,31	81,14
Pressure drop	(1) kPa	20,8	21,9	27,1	38,8	26,9	28,1	27,3	25,4	33,3
<b>REFRIGERANT CIRCUIT</b>										
Compressors nr.	N°	2	3	4	5	2	3	3	2	3
No. Circuits	N°	1	1	1	1	1	1	1	1	1
Refrigerant charge	kg	433	640	1015	1303	411	751	795	429	814
<b>NOISE LEVEL</b>										
Sound Pressure	(3) dB(A)	77	78	78	78	78	78	78	79	79
Sound power level in cooling	(4)(5) dB(A)	96	97	98	99	97	98	98	98	99
<b>SIZE AND WEIGHT</b>										
A	(6)(7) mm	3050	3710	4720	5700	3050	4690	4690	3050	4690
B	(6)(7) mm	1620	1710	1890	2350	1620	1660	1660	1620	1660
H	(6)(7) mm	2190	2260	2400	2400	2190	2260	2260	2190	2260
Operating weight	(6)(7) kg	5340	7750	10610	13850	5330	8470	8700	5310	8810

TX-W		2D1C	2D2B	2D2C	2D3C	2D4C	3A00	3B00	3B1A	3B2A
Power supply	V/ph/Hz	400/3/50	400/3/50	400/3/50	400/3/50	400/3/50	400/3/50	400/3/50	400/3/50	400/3/50
<b>PERFORMANCE</b>										
<b>COOLING ONLY (GROSS VALUE)</b>										
Cooling capacity	(1) kW	1656-2070	1984-2479	2117-2646	2599-3249	3081-3852	733,1-1062	1036-1480	1288-1839	1540-2200
EER	(1) kW/kW	6.370	6.330	6.390	6.490	6.580	6.060	6.130	6.320	6.360
ESEER (up to)	(1) kW/kW									
<b>COOLING ONLY (EN14511 VALUE)</b>										
Cooling capacity	(1)(2) kW	1870	2203	2360	2856	3350	732,1	1091	1359	1812
EER	(1)(2) kW/kW	5.990	5.950	6.000	6.080	6.190	5.910	5.920	6.060	5.930
ESEER	(1)(2) kW/kW	8.320	8.230	8.370	8.380	8.530	8.770	8.700	8.530	8.290
Cooling energy class		A	A	A	A	A	A	A	A	A
<b>ENERGY EFFICIENCY</b>										
<b>SEASONAL EFFICIENCY IN COOLING (Reg. EU 2016/2281)</b>										
Ambient refrigeration										
Prated.c	(8) kW	1870	-	-	-	-	732	1091	1359	1812
SEER	(8)(9)	8,24	-	-	-	-	8,93	8,82	8,64	8,22
Performance ηs	(8)(10) %	321	-	-	-	-	349	345	338	321
<b>EXCHANGERS</b>										
<b>HEAT EXCHANGER USER SIDE IN REFRIGERATION</b>										
Water flow	(1) l/s	89,77	105,8	113,3	137,2	160,8	35,07	52,27	65,17	86,97
Pressure drop	(1) kPa	62,7	66,7	66,6	75,6	67,1	21,5	23,7	40,7	61,8
<b>HEAT EXCHANGER SOURCE SIDE IN REFRIGERATION</b>										
Water flow	(1) l/s	103,8	122,4	131,0	158,3	185,2	40,76	60,73	75,40	100,7
Pressure drop	(1) kPa	48,9	44,7	42,3	48,7	53,3	19,6	22,5	26,5	39,5
<b>REFRIGERANT CIRCUIT</b>										
Compressors nr.	N°	3	4	4	5	6	3	3	4	5
No. Circuits	N°	1	1	1	1	1	1	1	1	1
Refrigerant charge	kg	812	1013	1094	1299	1667	501	598	985	1269
<b>NOISE LEVEL</b>										
Sound Pressure	(3) dB(A)	79	79	80	79	80	77	78	78	78
Sound power level in cooling	(4)(5) dB(A)	99	99	100	100	101	96	97	98	99
<b>SIZE AND WEIGHT</b>										
A	(6)(7) mm	4690	4720	4720	5700	6610	3710	3710	4720	5700
B	(6)(7) mm	1660	1890	1890	2350	2400	1710	1710	1890	2350
H	(6)(7) mm	2260	2400	2400	2400	2450	2260	2260	2400	2400
Operating weight	(6)(7) kg	8880	11250	11450	15420	20750	7440	7370	10740	14050

**Notes:**

- Plant (side) cooling exchanger water (in/out) 12°C/7°C;  
Source (side) heat exchanger water (in/out) 30°C/35°C.
- Values in compliance with EN14511
- Average sound pressure level at 1m distance, unit in a free field on a reflective surface;  
non-binding value calculated from the sound power level.
- Sound power on the basis of measurements made in compliance with ISO 9614.
- Sound power level in cooling, indoors.
- Unit in standard configuration/execution, without optional accessories.

- Lay-out with diagonal exchangers in units with 1, 2, 3 and 4 compressors;  
lay-out with horizontal exchangers in units with 5 and 6 compressors.
- Parameter calculated according to [REGULATION (EU) N. 2016/2281]
- Seasonal energy efficiency ratio
- Seasonal space cooling energy efficiency

The units highlighted in this publication contain R134a [GWP<sub>100</sub> 1430] fluorinated greenhouse gases.

Certified data in EUROVENT



just cool IT



# TX-W

High efficiency water cooled chiller with R134a refrigerant

TX-W		3B3A	3C00	3C1A	3C1B	3C2B	3D00	3D1A	3D1C	3D2C
Power supply	V/ph/Hz	400/3/50	400/3/50	400/3/50	400/3/50	400/3/50	400/3/50	400/3/50	400/3/50	400/3/50
<b>PERFORMANCE</b>										
<b>COOLING ONLY (GROSS VALUE)</b>										
Cooling capacity	(1) kW	1793-2562	1205-1721	1453-2076	1550-2214	1907-2724	1792-2240	2076-2594	2254-2817	2738-3423
EER	(1) kW/kW	6.420	6.490	6.450	6.470	6.540	6.340	6.330	6.370	6.490
ESEER (up to)	(1) kW/kW									
<b>COOLING ONLY (EN14511 VALUE)</b>										
Cooling capacity	(1)(2) kW	2095	1310	1753	1877	2292	2068	2354	2559	3057
EER	(1)(2) kW/kW	6.010	6.230	6.010	6.040	6.080	5.960	5.930	5.980	6.060
ESEER	(1)(2) kW/kW	8.430	8.900	8.510	8.550	8.480	8.250	8.100	8.240	8.240
Cooling energy class		A	A	A	A	A	A	A	A	A
<b>ENERGY EFFICIENCY</b>										
<b>SEASONAL EFFICIENCY IN COOLING (Reg. EU 2016/2281)</b>										
Ambient refrigeration										
Prated.c	(8) kW	-	1310	1753	1877	-	-	-	-	-
SEER	(8)(9)	-	8,98	8,55	8,56	-	-	-	-	-
Performance ηs	(8)(10) %	-	351	334	334	-	-	-	-	-
<b>EXCHANGERS</b>										
<b>HEAT EXCHANGER USER SIDE IN REFRIGERATION</b>										
Water flow	(1) l/s	100,5	62,81	84,10	90,04	110,1	99,34	113,1	122,9	146,9
Pressure drop	(1) kPa	56,3	35,8	52,2	52,5	59,6	69,1	76,3	72,4	81,1
<b>HEAT EXCHANGER SOURCE SIDE IN REFRIGERATION</b>										
Water flow	(1) l/s	116,2	72,40	97,31	104,1	127,1	114,9	130,9	142,1	169,4
Pressure drop	(1) kPa	43,8	28,5	34,4	33,7	41,8	56,4	48,8	47,1	55,8
<b>REFRIGERANT CIRCUIT</b>										
Compressors nr.	N°	6	3	4	4	5	3	4	4	5
No. Circuits	N°	1	1	1	1	1	1	1	1	1
Refrigerant charge	kg	1677	795	1078	1013	1252	850	1059	1072	1400
<b>NOISE LEVEL</b>										
Sound Pressure	(3) dB(A)	79	78	79	79	79	79	80	80	80
Sound power level in cooling	(4)(5) dB(A)	100	98	99	99	100	99	100	100	101
<b>SIZE AND WEIGHT</b>										
A	(6)(7) mm	6610	4690	4720	4720	5700	4690	4720	4720	5700
B	(6)(7) mm	2400	1660	1890	1890	2350	1660	1890	1890	2350
H	(6)(7) mm	2450	2260	2400	2400	2400	2260	2400	2400	2400
Operating weight	(6)(7) kg	18670	8700	11010	11210	14910	9010	11250	11580	15500

TX-W		3D3C	4B00	4B1A	4B2A	4C00	4C1B	4D00	4D1C	4D2C
Power supply	V/ph/Hz	400/3/50	400/3/50	400/3/50	400/3/50	400/3/50	400/3/50	400/3/50	400/3/50	400/3/50
<b>PERFORMANCE</b>										
<b>COOLING ONLY (GROSS VALUE)</b>										
Cooling capacity	(1) kW	3221-4026	1384-1978	1636-2337	1890-2700	1376-2294	1964-2806	2388-2985	2877-3596	3360-4200
EER	(1) kW/kW	6.590	6.350	6.390	6.450	6.440	6.560	6.330	6.480	6.600
ESEER (up to)	(1) kW/kW									
<b>COOLING ONLY (EN14511 VALUE)</b>										
Cooling capacity	(1)(2) kW	3549	1462	1937	2218	1498	2370	2755	3255	3750
EER	(1)(2) kW/kW	6.190	6.090	5.950	6.030	6.240	6.100	5.940	6.050	6.170
ESEER	(1)(2) kW/kW	8.480	8.600	8.310	8.400	8.910	8.480	8.110	8.180	8.390
Cooling energy class		A	A	A	A	A	A	A	A	A
<b>ENERGY EFFICIENCY</b>										
<b>SEASONAL EFFICIENCY IN COOLING (Reg. EU 2016/2281)</b>										
Ambient refrigeration										
Prated.c	(8) kW	-	1462	1937	-	1498	-	-	-	-
SEER	(8)(9)	-	8,68	8,30	-	9,17	-	-	-	-
Performance ηs	(8)(10) %	-	339	324	-	359	-	-	-	-
<b>EXCHANGERS</b>										
<b>HEAT EXCHANGER USER SIDE IN REFRIGERATION</b>										
Water flow	(1) l/s	170,4	70,11	92,98	106,4	71,80	113,8	132,4	156,5	180,1
Pressure drop	(1) kPa	71,5	40,1	60,5	57,3	30,7	62,1	81,7	88,9	75,7
<b>HEAT EXCHANGER SOURCE SIDE IN REFRIGERATION</b>										
Water flow	(1) l/s	196,1	81,06	107,7	123,0	82,82	131,3	153,1	180,4	207,3
Pressure drop	(1) kPa	54,8	26,4	39,1	45,1	20,4	42,4	54,7	54,9	61,2
<b>REFRIGERANT CIRCUIT</b>										
Compressors nr.	N°	6	4	5	6	4	5	4	5	6
No. Circuits	N°	1	1	1	1	1	1	1	1	1
Refrigerant charge	kg	1626	1078	1233	1638	1050	1239	1072	1380	1767
<b>NOISE LEVEL</b>										
Sound Pressure	(3) dB(A)	80	78	78	79	79	79	80	80	80
Sound power level in cooling	(4)(5) dB(A)	101	98	99	100	99	100	100	101	101
<b>SIZE AND WEIGHT</b>										
A	(6)(7) mm	6610	4720	5700	6610	4720	5700	4720	5700	6610
B	(6)(7) mm	2400	1890	2350	2400	1890	2350	1890	2350	2400
H	(6)(7) mm	2450	2400	2400	2450	2400	2400	2400	2400	2450
Operating weight	(6)(7) kg	21010	10920	14300	18880	11250	15000	11580	15730	21180

### Notes:

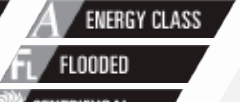
- Plant (side) cooling exchanger water (in/out) 12°C/7°C;  
Source (side) heat exchanger water (in/out) 30°C/35°C.
- Values in compliance with EN14511
- Average sound pressure level at 1m distance, unit in a free field on a reflective surface;  
non-binding value calculated from the sound power level.
- Sound power on the basis of measurements made in compliance with ISO 9614.
- Sound power level in cooling, indoors.
- Unit in standard configuration/execution, without optional accessories.

- Lay-out with diagonal exchangers in units with 1, 2, 3 and 4 compressors;  
lay-out with horizontal exchangers in units with 5 and 6 compressors.
- Parameter calculated according to [REGULATION (EU) N. 2016/2281]
- Seasonal energy efficiency ratio
- Seasonal space cooling energy efficiency

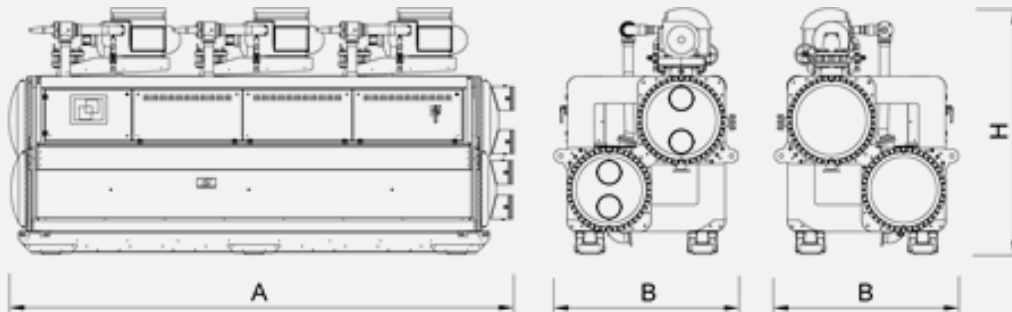
The units highlighted in this publication contain R134a [GWP<sub>100</sub> 1430] fluorinated greenhouse gases.

Certified data in EUROVENT





TX-W			5B00	5B1A	5C00	5C1B	5D00	5D1C	6B00	6C00	6D00
Power supply		V/ph/Hz	400/3/50	400/3/50	400/3/50	400/3/50	400/3/50	400/3/50	400/3/50	400/3/50	400/3/50
<b>PERFORMANCE</b>											
<b>COOLING ONLY (GROSS VALUE)</b>											
Cooling capacity	(1)	kW	1732-2474	1986-2837	2021-2888	2381-3401	3016-3770	3500-4374	2082-2974	2440-3486	3639-4549
EER	(1)	kW/kW	6.420	6.470	6.600	6.640	6.470	6.590	6.490	6.660	6.580
ESEER (up to)	(1)	kW/kW									
<b>COOLING ONLY (EN14511 VALUE)</b>											
Cooling capacity	(1)(2)	kW	2062	2342	2448	2864	3453	3948	2466	2942	4147
EER	(1)(2)	kW/kW	5.970	6.050	6.130	6.200	6.040	6.170	6.070	6.220	6.160
ESEER	(1)(2)	kW/kW	8.340	8.390	8.590	8.580	8.130	8.360	8.400	8.670	8.300
Cooling energy class			A	A	A	A	A	A	A	A	A
<b>ENERGY EFFICIENCY</b>											
<b>SEASONAL EFFICIENCY IN COOLING (Reg. EU 2016/2281)</b>											
Ambient refrigeration											
Prated.c	(8)	kW	-	-	-	-	-	-	-	-	-
SEER	(8)(9)		-	-	-	-	-	-	-	-	-
Performance rjs	(8)(10)	%	-	-	-	-	-	-	-	-	-
<b>EXCHANGERS</b>											
<b>HEAT EXCHANGER USER SIDE IN REFRIGERATION</b>											
Water flow	(1)	l/s	99,01	112,4	117,5	137,4	166,0	189,7	118,4	141,2	199,2
Pressure drop	(1)	kPa	61,0	57,3	62,6	58,7	92,9	79,2	58,1	59,4	82,3
<b>HEAT EXCHANGER SOURCE SIDE IN REFRIGERATION</b>											
Water flow	(1)	l/s	114,6	129,9	135,5	158,3	191,4	218,2	136,7	162,6	229,2
Pressure drop	(1)	kPa	39,1	45,9	40,4	45,5	61,7	61,7	46,0	44,5	68,1
<b>REFRIGERANT CIRCUIT</b>											
Compressors nr.		N°	5	6	5	6	5	6	6	6	6
No. Circuits		N°	1	1	1	1	1	1	1	1	1
Refrigerant charge		kg	1317	1594	1343	1583	1355	1739	1722	1555	1699
<b>NOISE LEVEL</b>											
Sound Pressure	(3)	dB(A)	78	79	79	80	80	81	79	80	81
Sound power level in cooling	(4)(5)	dB(A)	99	100	100	101	101	102	100	101	102
<b>SIZE AND WEIGHT</b>											
A	(6)(7)	mm	5700	6610	5700	6610	5700	6610	6610	6610	6610
B	(6)(7)	mm	2350	2400	2350	2400	2350	2400	2400	2400	2400
H	(6)(7)	mm	2400	2450	2400	2450	2400	2450	2450	2450	2450
Operating weight	(6)(7)	kg	14550	19150	15180	20240	15890	21350	19400	20410	21560



**Notes:**

- Plant (side) cooling exchanger water (in/out) 12°C/7°C;  
Source (side) heat exchanger water (in/out) 30°C/35°C.
- Values in compliance with EN14511
- Average sound pressure level at 1m distance, unit in a free field on a reflective surface;  
non-binding value calculated from the sound power level.
- Sound power on the basis of measurements made in compliance with ISO 9614.
- Sound power level in cooling, indoors.
- Unit in standard configuration/execution, without optional accessories.

- Lay-out with diagonal exchangers in units with 1, 2, 3 and 4 compressors;  
lay-out with horizontal exchangers in units with 5 and 6 compressors.
- Parameter calculated according to [REGULATION (EU) N. 2016/2281]
- Seasonal energy efficiency ratio
- Seasonal space cooling energy efficiency

The units highlighted in this publication contain R134a [GWP<sub>100</sub> 1430] fluorinated greenhouse gases.

Certified data in EUROVENT

